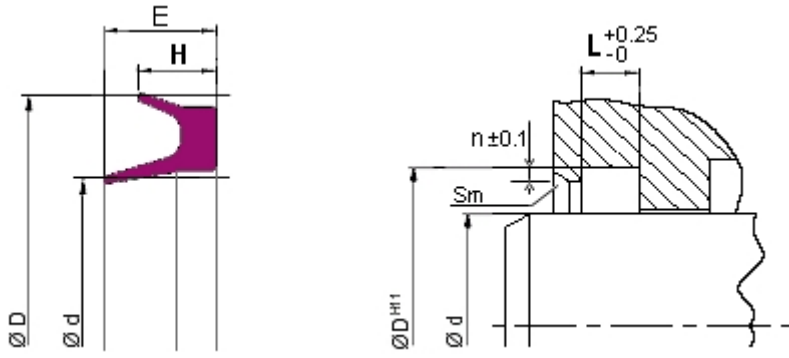


Wipers | Ice Scraper ROW



Ice Scraper. **Working Temp.:** Hydraulics -40 +100°C. Pneumatics -40 +80° C. **Max. speed** 1 m/sec



SEAT

d f7 rod	D H11 groove	H	E	n	L	Sm	code
8	18	4	6.5	0.75	4.5	1	R0W 0008
10	20	4	6.5	0.75	4.5	1	R0W 0010
12	22	4	6.5	0.75	4.5	1	R0W 0012
14	24	4	6.5	0.75	4.5	1	R0W 0014
16	26	4	6.5	0.75	4.5	1	R0W 0016
18	28	4	6.5	0.75	4.5	1	R0W 0018
20	33	5.3	8.5	0.75	6	1	R0W 0020
22	33	5.3	8.5	0.75	6	1	R0W 0022
25	38	5.3	8.5	0.75	6	1	R0W 0025
28	41	5.3	8.5	0.75	6	1	R0W 0028
30	43	5.3	8.5	0.75	6	1	R0W 0030
32	45	5.3	8.5	0.75	6	1	R0W 0032
36	49	5.3	8.5	0.75	6	1	R0W 0036
37	50	5.3	8.5	0.75	6	1	R0W 0037
40	53	5.3	8.5	0.75	6	1	R0W 0040
45	58	5.3	8.5	0.75	6	1	R0W 0045
46	59	5.3	8.5	0.75	6	1	R0W 0046
50	63	5.3	8.5	0.75	6	1	R0W 0050
55	68	5.3	8.5	0.75	6	1	R0W 0055
56	69	5.3	8.5	0.75	6	1	R0W 0056
60	73	5.3	8.5	0.75	6	1	R0W 0060
63	76	5.3	8.5	0.75	6	1	R0W 0063
65	78	5.3	8.5	0.75	6	1	R0W 0065
70	83	5.3	8.5	0.75	6	1	R0W 0070
75	88	5.3	8.5	0.75	6	1	R0W 0075
80	93	5.3	8.5	0.75	6	1	R0W 0080
85	98	5.3	8.5	0.75	6	1	R0W 0085
90	103	5.3	8.5	0.75	6	1	R0W 0090
95	108	5.3	8.5	0.75	6	1	R0W 0095
100	113	5.3	8.5	0.75	6	1	R0W 0100
105	118	5.3	8.5	0.75	6	1	R0W 0105
110	123	5.3	8.5	0.75	6	1	R0W 0110
115	128	5.3	8.5	0.75	6	1	R0W 0115
120	133	5.3	8.5	0.75	6	1	R0W 0120
125	138	5.3	8.5	0.75	6	1	R0W 0125

130	146	5.3	8.5	0.75	6	1	R0W 0130
140	156	5.3	8.5	0.75	6	1	R0W 0140
150	166	5.3	8.5	0.75	6	1	R0W 0150
160	176	5.3	8.5	0.75	6	1	R0W 0160
170	186	5.3	8.5	0.75	6	1	R0W 0170
180	199	7.7	12	0.75	8.5	1	R0W 0180
200	219	7.7	12	0.75	8.5	1	R0W 0200

EXTRA DIMENSIONS IN STANDARD GROOVES



Rod wiper R0W

Working Temp.:
 hydraulics -40 +100°C
 pneumatics -40 +80° C

max. speed: 1 m/sec

d h7 rod range	D H11 groove	H	E	n	L	Sm
8 - 40	d + 10	4	6.5	0.75	4.5	1
15 - 200	d + 13	5.3	8.5	0.75	6	1
150 - 300	d + 16	5.3	8.5	0.75	6	1
250 - 500	d + 19	7.7	12	0.75	8.5	1

FURTHER DIMENSIONS UPON REQUEST



AVAILABILITY

To check the availability:

- choose profile and compound from the drop-down menu
- input the desired housing class
- input the desired diameter

Once obtained the availability, a request for quotation can be sent.



MATERIALS

RESERVED AREA

Click compound's code to download the .PDF data sheet

HD Slippers code	Composition	Approvals	ΔT °C	Description
N-138	Poliammide		-40 +110	High modulus material, backup rings, guide rings, ice scraper