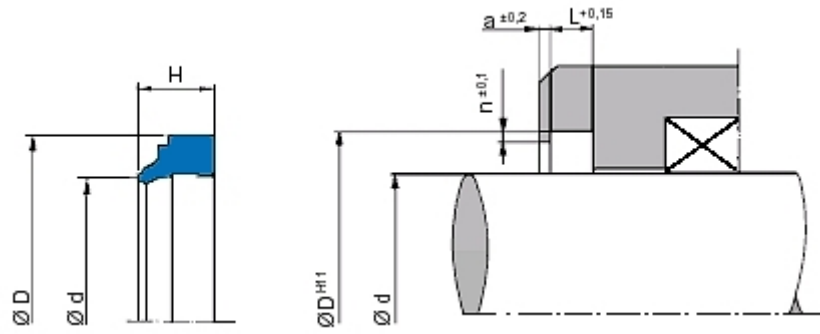


## Wipers |Wiper R01



**Rod Wiper R01.** Temperature: -35 +100°C. Speed max.: 2m/sec. Material: P95-R198

## SEAT

d f7 rod	D H11	H	L +0.15	a	n	code
16	24	7	4	1	1	R01 016x024x4 P95-R198
20	28	7	4	1	1	R01 020x028x4 P95-R198
25	33	7	4	1	1	R01 025x033x4 P95-R198
28	36	7	4	1	1	R01 028x036x4 P95-R198
30	38	7	4	1	1	R01 030x038x4 P95-R198
35	43	7	4	1	1	R01 035x043x4 P95-R198
36	44	7	4	1	1	R01 036x044x4 P95-R198
40	48	7	4	1	1	R01 040x048x4 P95-R198
45	53	7	4	1	1	R01 045x053x4 P95-R198
50	58	7	4	1	1	R01 050x058x4 P95-R198
55	63	7	4	1	1	R01 055x063x4 P95-R198
56	64	7	4	1	1	R01 056x064x4 P95-R198
60	68	7	4	1	1	R01 060x068x4 P95-R198
63	71	7	4	1	1	R01 063x071x4 P95-R198
70	78	7	4	1	1	R01 070x078x4 P95-R198
80	88	7	4	1	1	R01 080x088x4 P95-R198
80	92	10	5.5	1.5	1.5	R01 080x092x5.5 P95-R198
90	98	7	4	1	1	R01 090x098x4 P95-R198
100	108	7	4	1	1	R01 100x108x4 P95-R198
125	137	10	5.5	1.5	1.5	R01 125x137x5.5 P95-R198
140	152	10	5.5	1.5	1.5	R01 140x152x5.5 P95-R198
150	162	10	5.5	1.5	1.5	R01 150x162x5.5 P95-R198
160	172	10	5.5	1.5	1.5	R01 160x172x5.5 P95-R198
170	182	10	5.5	1.5	1.5	R01 170x182x5.5 P95-R198

### FURTHER DIMENSIONS WITH STANDARD CROSS SECTION

Image

d h7 rod dimensional range	D H11	H	L +0.15	a	n
10 - 200	d +8	7	4.0	1.0	1.0
40 - 300	d +12	10	5.5	1.5	1.5
100 - 400	d +15	13	6.5	2.0	2.0

### FURTHER DIMENSIONS UPON REQUEST