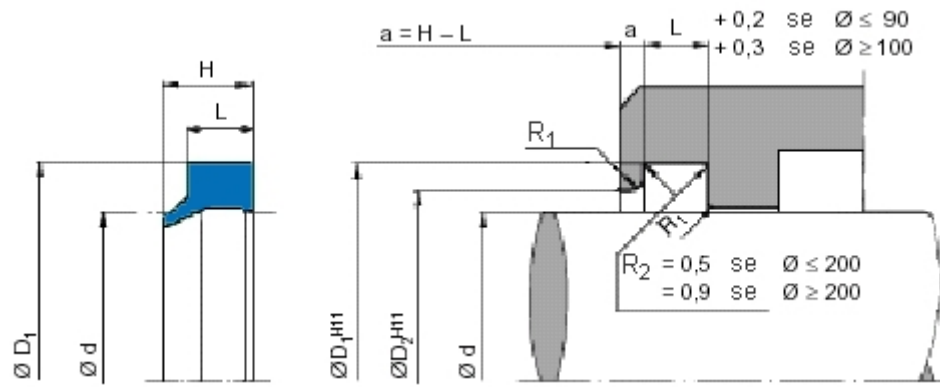


Wipers |Wiper R05



Rod Wiper R05 according with ISO 6195/A. Temperature: -35 +80°C. Speed max.: 2m/sec. Material: P95-R198

SEAT

d f7 rod	D1 H11	H	L	D2	R1 max.	code
12	20	8	5	17.5	0.3	R05 012x020x5 P95-R198
16	24	8	5	21.5	0.3	R05 016x024x5 P95-R198
20	28	8	5	25.5	0.3	R05 020x028x5 P95-R198
22	30	8	5	27.5	0.3	R05 022x030x5 P95-R198
28	36	8	5	33.5	0.3	R05 028x036x5 P95-R198
32	40	8	5	37.5	0.3	R05 032x040x5 P95-R198
40	48	8	5	45.5	0.3	R05 040x048x5 P95-R198
45	53	8	5	50.5	0.3	R05 045x053x5 P95-R198
56	66	10	6.3	63	0.4	R05 056x066x6.3 P95-R198
80	90	10	6.3	87	0.4	R05 080x090x6.3 P95-R198
100	115	14	9.5	110	0.6	R05 100x115x9.5 P95-R198
110	125	14	9.5	120	0.6	R05 110x125x9.5 P95-R198
125	140	14	9.5	135	0.6	R05 125x140x9.5 P95-R198
140	155	14	9.5	150	0.6	R05 140x155x9.5 P95-R198
180	195	14	9.5	190	0.6	R05 180x195x9.5 P95-R198
200	215	14	9.5	210	0.6	R05 200x215x9.5 P95-R198
320	340	18	12.7	333.5	0.8	R05 320x340x12.7 P95-R198

FURTHER DIMENSIONS WITH STANDARD CROSS SECTION

Image

d h7 rod dimensional range	D1 H11	H	L	D2	R1 max.
8 - 300	d + 8.0	6	4.0	d + 3.0	0.3
8 - 400	d + 8.0	8	5.0	d + 5.5	0.3
50 - 400	d + 10.0	10	6.5	d + 5.7	0.4
100 - 400	d + 15	14	9.5	d + 10.0	0.6
200 - 400	d + 20	18	12.7	d + 13.5	0.8

FURTHER DIMENSIONS UPON REQUEST