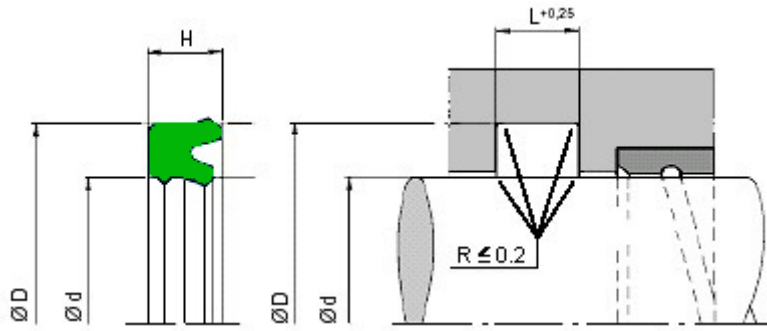




## Parker Seals |Parker BS rod seal



Material: P5008

Max. Pressure 400 bar.

Working Temp. -35 +110 °C.

Max. velocity 0.5 m/sec.



## SEAT

d f7 rod	D H11	H	L +0.25	BS code
8	16	5.7	6.3	BS 0816 P5008
10	18	5.7	6.3	BS 1018 P5008
14	22	5.7	6.3	BS 1422 P5008
18	28	7.3	8	BS 1827 P5008
20	30	7.3	8	BS 2030 P5008
22	32	7.3	8	BS 2232 P5008
25	33	6.5	7.3	BS 2533 P5008
28	38	7.3	8	BS 2838 P5008
32	42	7.3	8	BS 3242 P5008
36	46	7.3	8	BS 3646 P5008
40	55	11.4	12.5	BS 4007 P5008
45	53	5.6	6.3	BS 4553 P5008
45	55	7.3	8	BS 4555 P5008
45	60	11.4	12.5	BS 4561 P5008
50	60	7.3	8	BS 5004 P5008
50	65	11.4	12.5	BS 5065 P5008
56	71	11.4	12.5	BS 5609 P5008
60	75	10	11	BS 6074 P5008
63	78	11.4	12.5	BS 6378 P5008
70	85	11.4	12.5	BS 7085 P5008
80	95	11.4	12.5	BS 8095 P5008
90	105	11.4	12.5	BS 9005 P5008
100	120	14.5	16	BS A020 P5008
105	113	11.5	12.5	BS A513 P5008
110	130	14.5	16	BS B030 P5008
140	160	14.5	16	BS E060 P5008
150	170	15	16	BS F070 P5008
160	185	18.2	20	BS G085 P5008
180	188	11.5	12.5	BS J088 P5008
200	225	18.2	20	BS L025 P5008
220	250	22.7	25	BS M050 P5008