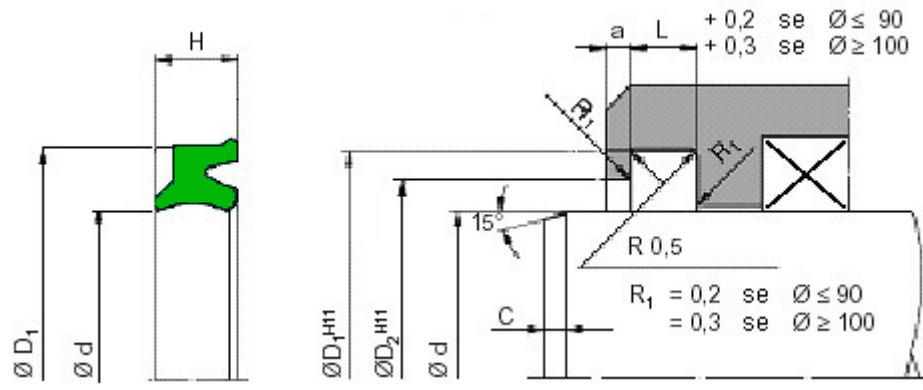


Parker Seals | Parker AY rod wiper



Compound P5008

Working Temp. -35 +100 °C. hydraulics

Working Temp. -35 +80 °C. pneumatics

Speed Max. 2 m/sec.



SEAT

d f7 rod	D ₁ H11	H	h	D ₂	L +0.15	AY code
16	22	4.8	3.6	18.5	4	AY 1059 P5008
20	26	4.8	3.6	22.5	4	AY 2026 P5008
25	31	4.8	3.6	27.5	4	AY 2050 P5008
28	36	5.8	4.5	31	5	AY 2080 P5008
30	38	5.8	4.5	33	5	AY 3001 P5008
35	43	5.8	4.5	38	5	AY 3039 P5008
36	44	5.8	4.5	39	5	AY 3060 P5008
40	48	5.8	4.5	43	5	AY 4002 P5008
45	53	5.8	4.5	48	5	AY 4045 P5008
50	58	5.8	4.5	53	5	AY 5002 P5008
55	65	6.8	5.3	58	6	AY 5050 P5008
56	66	6.8	5.3	59	6	AY 5060 P5008
60	70	6.8	5.3	63	6	AY 6003 P5008
63	73	6.8	5.3	66	6	AY 6030 P5008
70	80	6.8	5.3	73	6	AY 7000 P5008
80	90	6.8	5.3	83	6	AY 8030 P5008
85	95	6.8	5.3	88	6	AY 8050 P5008
90	100	6.8	5.3	93	6	AY 9000 P5008
100	110	6.8	5.3	103	6	AY A005 P5008
125	140	9.5	7.5	129	8.5	AY C030 P5008
140	155	9.5	7.5	144	8.5	AY E001 P5008