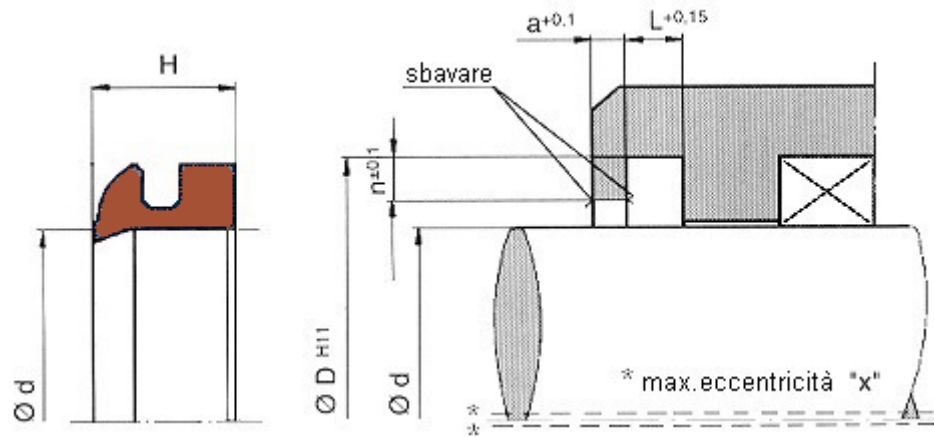


Parker Seals | Parker A6 wiper ring



Compound N3764
 WorkingTemp. -20 +100 °C.
 Speed Max. 0.5 m/sec.



SEAT

d f7 rod	D H11	H	L	a	n	X eccentricity	A6 code
20	29.5	7	3.1	1.6	2.5	0.75	A6 2006 N3764
25	34.5	7	3.1	1.6	2.5	0.75	A6 2050 N3764
35	47.0	10	4.1	2.5	3	1	A6 3050 N3764
36	45.5	7	3.1	1.6	2.5	0.75	A6 3055 N3764
40	52.0	10	4.1	2.5	3	1	A6 4025 N3764
45	57.0	10	4.1	2.5	3	1	A6 4033 N3764
50	62.0	10	4.1	2.5	3	1	A6 5005 N3764
55	67.0	10	4.1	2.5	3	1	A6 5015 N3764
60	72.0	10	4.1	2.5	3	1	A6 6015 N3764
65	77.0	10	4.1	2.5	3	1	A6 6050 N3764
70	85.0	12	5.1	3	3.5	1	A6 7015 N3764
75	90.0	12	5.1	3	3.5	1	A6 7030 N3764
80	95.0	12	5.1	3	3.5	1	A6 8015 N3764
85	100.0	12	5.1	3	3.5	1	A6 8030 N3764
90	105.0	12	5.1	3	3.5	1	A6 9015 N3764
100	115.0	12	5.1	3	3.5	1	A6 A015 N3764
105	120.0	12	5.1	3	3.5	1	A6 A030 N3764
110	125.0	12	5.1	3	3.5	1	A6 B010 N3764
115	131.0	12	5.1	3	3.5	1	A6 B050 N3764
120	139.0	14	6.1	4	5	1.5	A6 C005 N3764
125	140.0	12	6.1	3	3.5	1	A6 C018 N3764
130	149.0	14	6.1	4	5	1.5	A6 D020 N3764
140	159.0	14	6.1	4	5	1.5	A6 E015 N3764
150	169.0	14	6.1	4	5	1.5	A6 F024 N3764
160	179.0	14	6.1	4	5	1.5	A6 G015 N3764
165	181.0	14	6.1	4	5	1.5	A6 G050 N3764
170	189.0	14	6.1	4	5	1.5	A6 H010 N3764
180	199.0	14	6.1	4	5	1.5	A6 J096 N3764
190	209.0	14	6.1	4	5	1.5	A6 K005 N3764
200	223.0	20	8.3	4.8	6	1.5	A6 L005 N3764
210	233.0	20	8.3	4.8	6	1.5	A6 L055 N3764
220	243.0	20	8.3	4.8	6	1.5	A6 M010 N3764
230	253.0	20	8.3	4.8	6	1.5	A6 M030 N3764
260	283.0	20	8.3	4.8	6	1.5	A6 O005 N3764