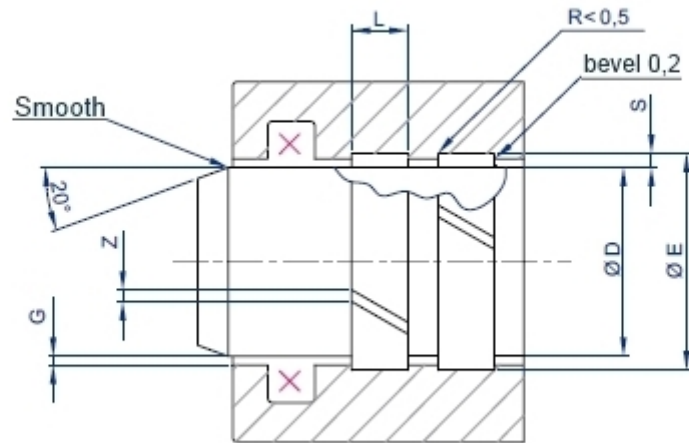


Guide rings | FT rod guide rings



FT WEAR RINGS Polyester resin and fabric wear rings.
 For high loads. Available in a wide dimensional range.
 Installation in the same housing as for Neuflon-ptfe compound band and FR rings.



SEAT

| S Thickness | F groove diameter | L groove width | G rod-box clearance |
|-----------------------|-----------------------------|--------------------------|---|
| | J8 - H8 | H11 | max S x 0,4 |
| 2.5 | | 6.3 | |
| 2.5 | | 8.1 | |
| 2.5 | | 9.7 | |
| 2.5 | | 15 | |
| 2.5 | D + 5 | 20 | max S x 0.4 according with the seal adopted |
| 2.5 | | 25 | |
| 2.5 | | 30 | |
| 2.5 | | 40 | |
| 4.0 | D + 8 | 25 | |

Coding example

Product: FT
 Groove diameter: 105
 Rod: 100
 Groove width: 15

FT 105 x 100 x 15



MATERIALS

| CHARACTERISTIC | SPECIFICATION | UNIT | VALUE |
|---|---------------|-----------------------|--------------------|
| Color | | | blue |
| SPECIFIC LOAD Q_s $T < 100^\circ\text{C}$ | | N.mm ⁻² | 75 |
| Compression resistance | D695-54 | N.mm ⁻² | 340 |
| Hardness | D2240-74 | Rockwell M | 100 |
| Friction coefficient | | | 0.2 |
| Max. Speed | | m/sec | 1 |
| Thermal expansion coefficient | D696-70 | 10 ⁻⁶ / °C | 20 |
| Continual operational Temperature | | °C | 130 |
| Peak Temperature | | °C | 150 |
| Flammability | D635-68 | | self extinguishing |