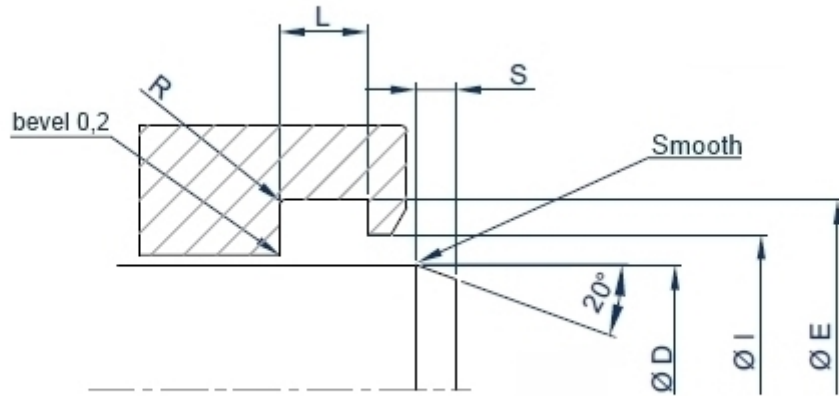


Wipers | Wiper NRW



NRW rod wiper heavy series

The particular profile and the choice of materials make an extremely reliable component for completely preventing the penetration of solid and liquid contaminative elements in the mechanical organs.

CHARACTERISTICS

Complement to the rod seal
 Closed groove
 Low friction
 Protected wiper lip
 High temperature resistance.

APPLICATIONS

Hydraulics and pneumatics
 Linear movements
 linear speed up to 5 m/sec
 T da -60 a + 250°C.
 Protection of the cylinder rods in industrial equipments



SEAT

Class	D Rod Diameter		E Groove	I max	L Groove width	R max	S min	In closed groove from mm
	suggested f7	possible f7	H9	H12	H12			
W1	19 - 39,9	15 - 70	D + 7,6	D + 1,5	4,2	0,3	1,4	30
W2	40 - 69,9	30 - 140	D + 8,8	D + 1,5	6,3	0,3	2,6	40
W3	70 - 139,9	50 - 400	D + 12,2	D + 1,5	8,1	0,4	3	50
W4	140 - 399,9	100 - 500	D + 16	D + 2,0	9,5	0,5	7	70
W5	400 - 649,9	250 - 650	D + 24	D + 2,5	14,0	0,6	10	140
W6	650 - 1200	500 - 1200	D + 27,3	D + 2,5	16 ,0	0,8	17	500

Coding Example

profile code: NRW
 stelo 50
 housing class W2
 materials: Neuflon-031 O-Ring NBR

Wiper NRW 050 W2 N-031 NBR



AVAILABILITY

To check the availability:

- choose profile and compound from the drop-down menu
 - input the desired housing class
 - input the desired diameter
- Once obtained the availability, a request for quotation can be sent.



MATERIALS

Click compound's code to download the .PDF data sheet. Registration required.

HD Slippers code	Composition	Approvals	ΔT °C	Description
N-020	Virgin PTFE	FDA NORSOK	-268 +260	All purpose, low friction coefficient, extrusion withstanding.
N-009	Ptfe-oxides	FDA	-268 +260	All purpose on soft surfaces
N-031	Ptfe-bronze		-268 +260	High wear resistance, hydraulic seals
N-032	Ptfe-carbon		-268 +260	High wear resistance, pneumatic and hydraulic seals
N-059	Ptfe-carbographite		-268 +260	High wear resistance, hydraulic and pneumatic seals, hard surfaces
N-197	Ptfe-carbographite	NORSOK	-268 +260	High wear resistance, hydraulic and pneumatic seals
N-043	Ptfe-graphite	FDA	-268 +260	High wear resistance, low friction coefficient.
N-103	Ptfe-carbon fibre	FDA	-268 +260	High wear resistance, low friction coefficient, hard surfaces.
N-077	Ptfe-glass fibre-MoS ₂		-268 +260	Of general use, in lubricated applications, rotary seals
N-060	Ptfe-glass fibre	FDA	-268 +260	All purpose on hard surfaces
N-067	Ptfe-glass fibre	FDA NORSOK	-268 +260	High wear and creep resistance
N-102	Ptfe-Liquid crystal polymer	FDA - EU	-268 +260	Food & Pharma, fit for soft surfaces
N-088	Ptfe-poliimide		-268 +260	High wear resistance. Soft surfaces
N-074	PEHMW	FDA	-140 +80	High wear and extrusion resistance
P95-A112	Polyurethane		-30 +105	Extrusion withstanding, low friction coefficient
P95-G114	Polyurethane	FDA	-30 +105	Extrusion withstanding, lower friction coefficient

ELASTOMER ACCORDING WITH FLUID

FLUID	ELASTOMER
HYDRAULIC OIL - TRANSMISSION OIL	NBR
FIRE RESISTANT SYNTETIC HYDRAULIC OIL	EPDM
WATER AND WATER/OIL EMULSIONS	NBR
FOOD AND DRUG	MVQ
AIR	NBR
STEAM	EPDM - FFKM
ACIDS AND BASES	FKM - FFKM