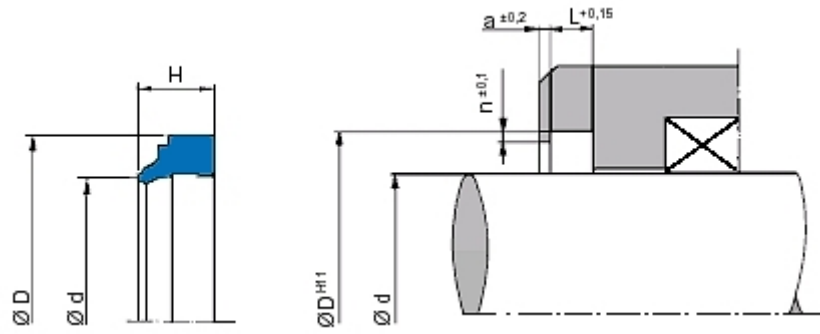


## Raschiastelo | Raschiastelo R01



RAschiastelo R01  
 Temp. di esercizio: -30 +105°C.  
 Velocità max. 2m/sec. .  
 Materiale: P95-R198

## SEDI

d f7 stelo	D H11 fondo gola	H ingombro	L +0.15 larghezza sede	a ritegno	n ritegno	codice
16	24	7	4	1	1	R01 016x024x4 P95-R198
20	28	7	4	1	1	R01 020x028x4 P95-R198
25	33	7	4	1	1	R01 025x033x4 P95-R198
28	36	7	4	1	1	R01 028x036x4 P95-R198
30	38	7	4	1	1	R01 030x038x4 P95-R198
35	43	7	4	1	1	R01 035x043x4 P95-R198
36	44	7	4	1	1	R01 036x044x4 P95-R198
40	48	7	4	1	1	R01 040x048x4 P95-R198
45	53	7	4	1	1	R01 045x053x4 P95-R198
50	58	7	4	1	1	R01 050x058x4 P95-R198
55	63	7	4	1	1	R01 055x063x4 P95-R198
56	64	7	4	1	1	R01 056x064x4 P95-R198
60	68	7	4	1	1	R01 060x068x4 P95-R198
63	71	7	4	1	1	R01 063x071x4 P95-R198
70	78	7	4	1	1	R01 070x078x4 P95-R198
80	88	7	4	1	1	R01 080x088x4 P95-R198
80	92	10	5.5	1.5	1.5	R01 080x092x5.5 P95-R198
90	98	7	4	1	1	R01 090x098x4 P95-R198
100	108	7	4	1	1	R01 100x108x4 P95-R198
125	137	10	5.5	1.5	1.5	R01 125x137x5.5 P95-R198
140	152	10	5.5	1.5	1.5	R01 140x152x5.5 P95-R198
150	162	10	5.5	1.5	1.5	R01 150x162x5.5 P95-R198
160	172	10	5.5	1.5	1.5	R01 160x172x5.5 P95-R198
170	182	10	5.5	1.5	1.5	R01 170x182x5.5 P95-R198

### ALTRI ALLOGGIAMENTI a SEZIONE STANDARD

Image

d h7 stelo campo dimensionale	D H11 fondo gola	H ingombro	L +0.15 larghezza sede	a	n
10 - 200	d +8	7	4.0	1.0	1.0
40 - 300	d +12	10	5.5	1.5	1.5
100 - 400	d +15	13	6.5	2.0	2.0

### ULTERIORI ALLOGGIAMENTI FORNIBILI A RICHIESTA