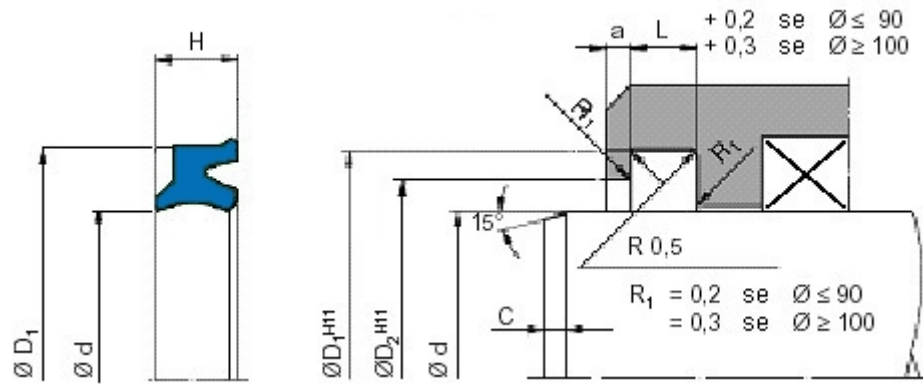


## Raschiastelo | Raschiastelo R0Y



Materiale: P95-R198.

Temp.di esercizio idraulica:  $-30 +105^\circ\text{C}$ .

Temp.di esercizio pneumatica:  $-30 +80^\circ\text{C}$ .

Velocità max. 2 m/sec.

## SEDI

d f7 stelo	D1 H11 fondo gola	H ingombro	a ritegno	D2 H11 ritegno	L larghezza sede	codice
8	13	4.1	1.0	10.5	3.5	R0Y 008x013x3.5 P95-R198
10	16	4.8	1.2	12.5	4.0	R0Y 010x013x4 P95-R198
12	18	4.8	1.2	14.5	4.0	R0Y 012x018x4 P95-R198
14	20	4.8	1.2	16.5	4.0	R0Y 014x020x4 P95-R198
16	22	4.8	1.2	18.5	4.0	R0Y 016x022x4 P95-R198
18	24	4.8	1.2	20.5	4.0	R0Y 018x024x4 P95-R198
20	26	4.8	1.2	22.5	4.0	R0Y 020x026x4 P95-R198
22	28	4.8	1.2	24.5	4.0	R0Y 022x028x4 P95-R198
25	31	4.8	1.2	27.5	4.0	R0Y 025x031x4 P95-R198
28	36	5.8	1.3	31.0	5.0	R0Y 028x036x5 P95-R198
30	38	5.8	1.3	33.0	5.0	R0Y 030x038x5 P95-R198
32	40	5.8	1.3	35.0	5.0	R0Y 032x040x5 P95-R198
36	44	5.8	1.3	39.0	5.0	R0Y 036x044x5 P95-R198
37	45	5.8	1.3	40.0	5.0	R0Y 037x045x5 P95-R198
40	48	5.8	1.3	43.0	5.0	R0Y 040x048x5 P95-R198
45	53	5.8	1.3	48.0	5.0	R0Y 045x053x5 P95-R198
46	54	5.8	1.3	49.0	5.0	R0Y 046x054x5 P95-R198
50	58	5.8	1.3	53.0	5.0	R0Y 050x058x5 P95-R198
55	65	6.8	1.5	58.0	6.0	R0Y 055x065x6 P95-R198
56	66	6.8	1.5	59.0	6.0	R0Y 056x066x6 P95-R198
60	70	6.8	1.5	63.0	6.0	R0Y 060x070x6 P95-R198
63	73	6.8	1.5	66.0	6.0	R0Y 063x073x6 P95-R198
65	75	6.8	1.5	68.0	6.0	R0Y 065x075x6 P95-R198
70	80	6.8	1.5	73.0	6.0	R0Y 070x080x6 P95-R198
75	85	6.8	1.5	78.0	6.0	R0Y 075x085x6 P95-R198
80	90	6.8	1.5	83.0	6.0	R0Y 080x090x6 P95-R198
85	95	6.8	1.5	88.0	6.0	R0Y 085x095x6 P95-R198
90	100	6.8	1.5	93.0	6.0	R0Y 090x100x6 P95-R198
110	125	9.5	2.0	114.0	8.5	R0Y 110x125x8.5 P95-R198
125	140	9.5	2.0	129.0	8.5	R0Y 125x140x8.5 P95-R198
140	155	9.5	2.0	144.0	8.5	R0Y 140x155x8.5 P95-R198

### ALTRI ALLOGGIAMENTI a SEZIONE STANDARD

Image

d h7 stelo

D1 H11

H

a

D2 H11

L



campo dimensionale	fondo gola	ingombro	ritegno	ritegno	larghezza sede
8 - 15	d + 5	4.1	1.0	d + 2.5	3.5
10 - 50	d + 6	4.8	1.2	d + 2.5	4.0
25 - 100	d + 8	5.8	1.3	d + 3.0	5.0
50 - 150	d + 10	6.8	1.5	d + 3.0	6.0
80 - 200	d + 15	9.5	2.0	d + 4.0	8.5
<b>ULTERIORI ALLOGGIAMENTI FORNIBILI A RICHIESTA</b>					