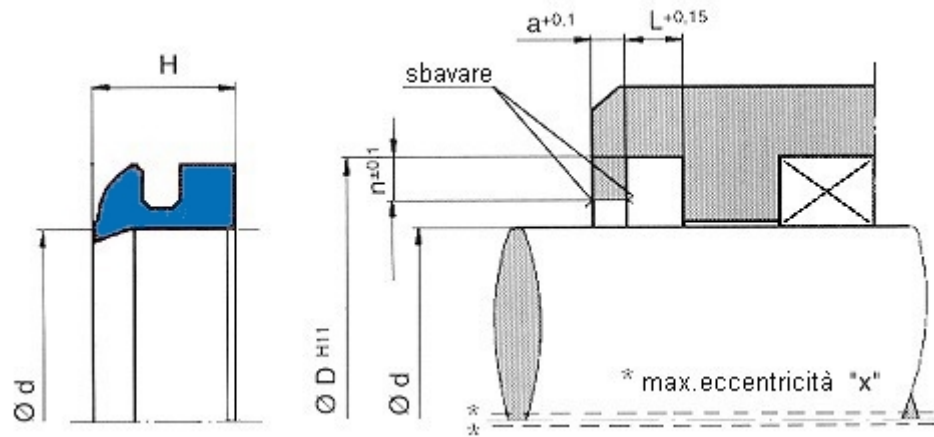


Raschiastelo | Raschiastelo R06



Raschiastelo R06
 Materiale: P95-R198.
 Temp.di esercizio: $-30 + 105^{\circ}\text{C}$.
 Velocità max.: 2 m/sec.



SEDI

d f7 stelo	D H11 fondo gola	H ingombro	L larghezza sede	a ritegno	n ritegno	X eccentricità	codice
20	29.5	7	3.1	1.6	2.5	0.75	R06 020 P95-R198
25	34.5	7	3.1	1.6	2.5	0.75	R06 025 P95-R198
35	47.0	10	4.1	2.5	3	1	R06 035 P95-R198
36	45.5	7	3.1	1.6	2.5	0.75	R06 036 P95-R198
40	52.0	10	4.1	2.5	3	1	R06 040 P95-R198
45	57.0	10	4.1	2.5	3	1	R06 045 P95-R198
50	62.0	10	4.1	2.5	3	1	R06 050 P95-R198
55	67.0	10	4.1	2.5	3	1	R06 055 P95-R198
60	72.0	10	4.1	2.5	3	1	R06 060 P95-R198
65	77.0	10	4.1	2.5	3	1	R06 065 P95-R198
70	85.0	12	5.1	3	3.5	1	R06 070 P95-R198
75	90.0	12	5.1	3	3.5	1	R06 075 P95-R198
80	95.0	12	5.1	3	3.5	1	R06 080 P95-R198
85	100.0	12	5.1	3	3.5	1	R06 085 P95-R198
90	105.0	12	5.1	3	3.5	1	R06 090 P95-R198
100	115.0	12	5.1	3	3.5	1	R06 100 P95-R198
105	120.0	12	5.1	3	3.5	1	R06 105 P95-R198
110	125.0	12	5.1	3	3.5	1	R06 110 P95-R198
115	131.0	12	5.1	3	3.5	1	R06 115 P95-R198
120	139.0	14	6.1	4	5	1.5	R06 120 P95-R198
125	140.0	12	6.1	3	3.5	1	R06 125 P95-R198
130	149.0	14	6.1	4	5	1.5	R06 130 P95-R198
140	159.0	14	6.1	4	5	1.5	R06 140 P95-R198
150	169.0	14	6.1	4	5	1.5	R06 150 P95-R198
160	179.0	14	6.1	4	5	1.5	R06 160 P95-R198
165	181.0	14	6.1	4	5	1.5	R06 165 P95-R198
170	189.0	14	6.1	4	5	1.5	R06 170 P95-R198
180	199.0	14	6.1	4	5	1.5	R06 P95-R198
190	209.0	14	6.1	4	5	1.5	R06 P95-R198
200	223.0	20	8.3	4.8	6	1.5	R06 P95-R198
220	243.0	20	8.3	4.8	6	1.5	R06 P95-R198
230	253.0	20	8.3	4.8	6	1.5	R06 P95-R198
260	283.0	20	8.3	4.8	6	1.5	R06 P95-R198

ALTRI ALLOGGIAMENTI SEZIONE STANDARD

Image

d h7 stelo campo dimensionale	D H11 fondo gola	H ingombro	L larghezza sede	a ritegno	n ritegno	X max. eccentricità
20 - 50	d + 9.5	7	3.1	1.6	2.5	0.75
30 - 100	d + 12	10	4.1	2.5	3	1
50 - 200	d + 15	12	5.1	3	3.5	1
100 - 250	d + 19	14	6.1	4	5	1.5
180 - 400	d + 23	20	8.3	4.8	6	1.5

ULTERIORI ALLOGGIAMENTI FORNIBILI A RICHIESTA