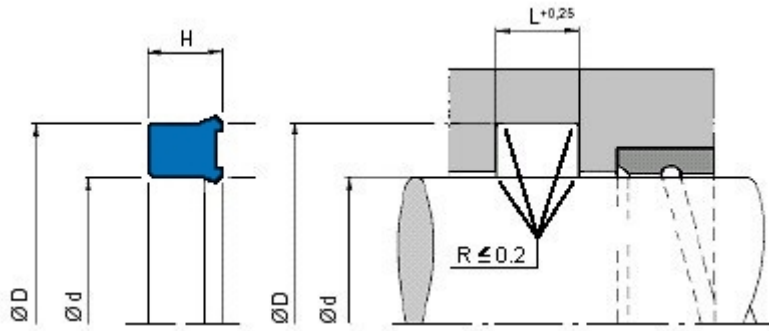


Guarnizioni in elastomero | Tenuta Stelo S0C Idrraulica



Materiale: P95-R198.

Pressione max. 400 bar.

Temp. di esercizio: $-35 +110$ °C.

Velocita' max. 0.5 m/sec.



SEDI

d f7 stelo	D H11 fondo gola	H ingombro	L +0.25 larghezza gola	codice
6	14	5.7	6.3	SOC 006x014x06.3 P95-R198
8	16	5.7	6.3	SOC 008x016x06.3 P95-R198
10	18	5.7	6.3	SOC 010x018x06.3 P95-R198
14	22	5.7	6.3	SOC 014x022x06.3 P95-R198
18	26	5.7	6.3	SOC 018x026x06.3 P95-R198
20	26	5	6	SOC 020x026x06.0 P95-R198
20	28	5.7	6.3	SOC 020x028x06.3 P95-R198
22	30	5.7	6.3	SOC 022x030x06.3 P95-R198
22	32	8	9	SOC 022x032x09.0 P95-R198
28	36	5.7	6.3	SOC 028x036x06.3 P95-R198
30	38	8	9	SOC 030x038x09.0 P95-R198
32	40	8	9	SOC 032x040x09.0 P95-R198
36	46	7.3	8	SOC 036x046x08.0 P95-R198
40	48	8	9	SOC 040x048x09.0 P95-R198
40	50	7.3	8	SOC 040x050x08.0 P95-R198
45	53	5.7	6.3	SOC 045x053x06.3 P95-R198
45	55	7.3	8	SOC 045x055x08.0 P95-R198
50	60	7.3	8	SOC 050x060x08.0 P95-R198
50	65	10	11	SOC 050x065x11.0 P95-R198
55	63	8	9	SOC 055x063x09.0 P95-R198
56	71	11.4	12.5	SOC 056x071x12.5 P95-R198
60	75	15	16.5	SOC 060x075x16.5 P95-R198
63	78	11.4	12.5	SOC 063X078X12.5 P95-R198
65	73	8	9	SOC 065x073x09.0 P95-R198
70	80	6.5	7.5	SOC 070x080x07.5 P95-R198
80	95	11.4	12.5	SOC 080x095x12.5 P95-R198
90	100	6.5	7.5	SOC 090x100x07.5 P95-R198
100	108	11.5	12.5	SOC 100x108x12.5 P95-R198
100	120	14.5	16	SOC 100x120x16.0 P95-R198
110	125	9.6	10.6	SOC 110x125x10.6 P95-R198
110	130	14.5	16	SOC 110x130x16.0 P95-R198
120	130	10	11	SOC 120x130x11.0 P95-R198
125	145	14.5	16	SOC 125x145x16.0 P95-R198
128	140	10	11	SOC 128x140x11.0 P95-R198
140	155	9.6	10.6	SOC 140x155x10.6 P95-R198



140	160	14.5	16	S0C 140x160x16.0 P95-R198
160	185	18.2	20	S0C 160x185x20.0 P95-R198
180	200	16	17.5	S0C 180x200x17.5 P95-R198
180	205	18.2	20	S0C 180x205x20.0 P95-R198
188	208	16	17.5	S0C 188x208x17.5 P95-R198
220	250	22.7	25	S0C 220x250x25.0 P95-R198

ALTRI ALLOGGIAMENTI a SEZIONE STANDARD

Image

d h7 stelo campo dimensionale	D H11 fondo gola	H ingombro	L +0.25 larghezza sede
4 - 30	d + 7	5	5.6
6 - 60	d + 8	5.7	6.3
10 - 100	d + 10	7.3	8
14 - 150	d + 10	8.2	9
25 - 160	d + 15	9	10
25 - 200	d + 10	10	11
100 - 300	d + 20	14.5	16
150 - 600	d + 25	18.2	20
300 - 1200	d + 30	22.7	25

ULTERIORI ALLOGGIAMENTI FORNIBILI A RICHIESTA